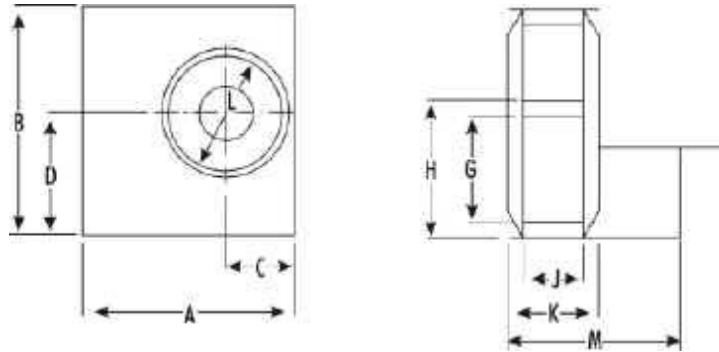


2900 RPM High Speed Centrifugal Fan Airflow (CFM)

HP	Static Pressure – inches of water							
	0	2	4	6	8	10	12	14
3	4000	3500	3000	2200				
5	4500	3900	3300	2700	2100			
7.5	6100	5400	4700	4100	3350			
10	8600	7400	6400	5600	4700	1500		
15	10800	9300	8000	7000	5900	4500	4100	2000
20	12000	11300	10600	9700	8800	7800	6100	3700
25	15800	14700	13500	12400	11000	9200	7600	5200
30	18600	17100	16000	15100	13900	12300	11000	7700
40	20000	19000	18000	16800	15800	14600	13600	12800

2900 RPM High Speed Centrifugal Fan Dimensions (centimeters)

380 or 415 volt, 3 phase, 50 hz



HP	A	B	C	D	G	H	J	K	L	M
3	63.5	74.3	30.5	36.2	42.5	52.7	22.9	34.0	45.7	62.1
5	75.6	90.2	37.8	34.0	48.3	58.4	23.3	34.3	55.2	67.5
7.5	75.6	90.2	37.8	34.0	48.3	58.1	27.9	39.2	55.2	72.3
10	75.6	90.2	37.8	34.0	48.3	58.1	30.8	41.6	55.2	74.9
15	82.6	95.3	40.0	45.7	53.7	62.7	28.9	39.7	66.0	76.8
20	82.6	95.3	40.0	45.7	53.7	57.8	34.3	45.1	66.0	82.2
25	106.7	128.3	54.6	68.6	68.9	78.7	39.8	50.6	66.0	96.7
30	106.7	128.3	50.5	63.0	73.7	83.5	39.7	50.2	73.7	96.4
40	106.7	128.3	43.7	77.8	73.7	83.5	45.4	56.4	73.7	102.3

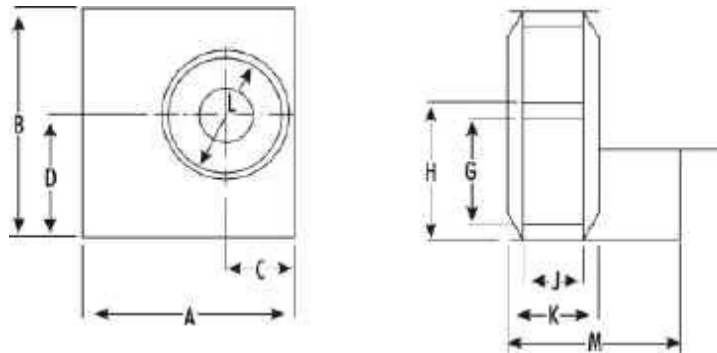
3500 RPM Centrifugal Fan Dimensions

380 volt, 3 phase, 60 hertz

	Static Pressure – inches of water										
HP	0	2	4	6	8	10	12	14	16	18	20
3	3300	2800	2400	1950	1350	900					
5	4450	4050	3550	3000	2350	1550					
7.5	5050	4600	4250	3850	3400	2900	2350	1650			
10	7300	6850	6350	5800	5400	4700	3950	2400			
15	10050	9500	8850	8050	7350	6350	4750	2650			
20	10800	10350	9850	9300	8700	8150	7550	6850	6150	5200	4100
30	14500	13800	13000	12300	11600	10800	10200	9400	8400	7800	6800
40	19000	18300	17200	16200	15300	14300	13100	11700	9500	9000	7800

3500 RPM Centrifugal Fan Dimensions (centimeters)

380 volt, 3 phase, 60 hertz



HP	A	B	C	D	G	H	J	K	L	M
3	63.5	74.3	27.3	43.8	42.5	52.7	18.4	29.7	45.6	54.1
5	63.5	74.3	27.3	43.8	42.5	52.7	22.9	34.0	45.6	58.6
7.5	75.6	90.2	31.4	52.4	48.3	58.4	23.3	34.3	55.2	64.6
10	75.6	90.2	31.4	52.4	47.9	57.9	27.9	39.2	55.2	69.5
15	75.6	90.2	31.4	52.4	48.3	58.1	30.8	41.6	55.2	72.1
20	82.6	95.7	36.8	55.2	52.7	61.6	28.9	39.4	66.0	73.3
30	82.6	95.7	36.8	55.2	52.7	62.5	34.3	45.6	66.0	89.4
40	106.7	128.3	38.1	73.7	68.9	78.7	38.4	49.2	66.0	93.5

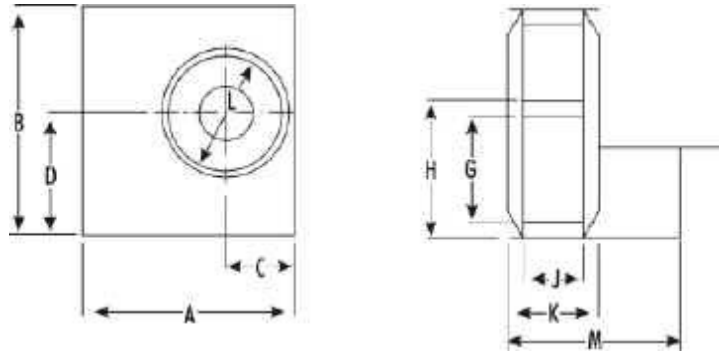
1450 RPM Centrifugal Fan Airflow (CFM)

380 or 415 volt, 3 phase, 50 hertz

HP	Static Pressure – inches of water							
	0	1	2	3	4	5	6	7
3	7900	6900	5700	4700				
5	10000	9100	7900	6900	5800			
7.5	13300	12300	11200	10100	8600	6200		
10	15900	14200	13700	12600	11300	9100		
15	19700	18600	17300	16100	14800	13200	11000	
20	20579	19482	18385	17291	16215	15130	13957	9228
25	23200	22000	20750	19500	18360	17050	15660	14250
30D	44990	41075	36994	32967	28999	52588	22326	15634

1450 RPM Centrifugal Fan Dimensions

280 or 415 volt, 3 phase, 50 hertz



HP	A	B	C	D	G	H	J	K	L	M
3	106.7	128.3	38.1	73.7	68.9	78.7	39.7	50.8	66.0	78.9
5	106.7	128.3	43.7	77.8	73.7	83.5	45.4	56.4	73.7	89.6
7.5	106.7	128.6	43.7	77.8	73.7	83.8	46.4	57.2	80.0	90.5
10	106.7	128.6	43.7	77.8	73.7	83.8	48.9	59.7	80.0	93.0
15	121.9	149.9	48.3	91.4	87.6	96.5	50.8	61.6	89.2	98.7
20	121.9	149.9	48.3	91.4	87.6	96.5	60.5	70.8	89.2	108.2
25	121.9	149.9	48.3	91.4	88.3	97.8	65.7	76.2	89.2	116.8
30D	121.9	149.9	48.3	91.4	88.3	97.8	111.9	122.6	89.2	190.9

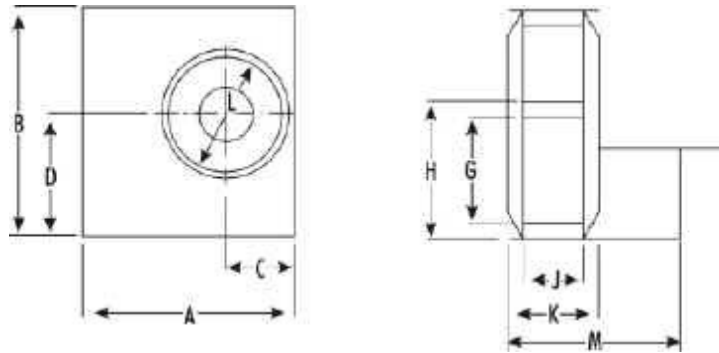
1750 RPM Centrifugal Airflow (CFM)

380 volt, 3 phase, 60 hertz

	Static Pressure – inches of water									
HP	0	2	3	4	5	6	7	8	9	10
3	5300	3800	3400	3000	2600					
5	9500	7650	6700	6000	5000					
7.5	12000	10400	9400	8500	7700	6700				
10	16000	14200	13200	12200	11200	10100	7800	3200		
15	19000	17100	16200	15200	14200	13200	11600	8200		
20	23600	21750	20650	19600	18500	17200	15800	14500	12000	
30	24701	22873	21958	21044	20143	19251	18359	17383	16403	12100
30D	34000	30300	28600	27000	25500	23500	21800	19500	16700	13700
40D	43400	39300	37300	34600	31800	29100	27200	25000	22200	19000

1750 RPM Centrifugal Fan Dimensions (centimeters)

380 volt, 3 phase, 60 hertz



HP	A	B	C	D	G	H	J	K	L	M
3	82.6	95.7	36.8	55.2	52.4	62.5	30.2	41.3	66.0	66.2
5	106.7	128.3	38.1	73.7	68.9	78.7	39.7	50.8	66.0	80.8
7.5	106.7	128.3	43.7	77.8	73.7	83.5	45.4	56.4	73.7	86.5
10	106.7	128.6	43.7	77.8	73.7	83.8	46.4	57.2	80.0	91.0
15	106.7	128.6	43.7	77.8	73.7	83.8	46.4	57.2	80.0	93.7
20	121.9	149.9	48.3	91.4	87.6	96.5	50.8	61.6	89.2	101.9
30	121.9	149.9	48.3	91.4	87.6	96.5	60.6	71.8	89.2	114.5
30D	121.9	149.9	48.3	91.4	87.6	97.2	106.7	117.5	89.2	185.6
40D	121.9	149.9	48.3	91.4	87.6	97.2	106.7	117.5	89.2	185.6

2900 RPM Axial Fan Airflow (CFM)

380 or 415 volt, 3 phase, 50 hertz

HP	Dia.	0	.5	1	1.5	2	3	4	5
$\frac{3}{4}$	12"	1920	1450	790	420				
1 ½	14"	2600	2250	1800	1130	660			
2	18"	5400		4300		2200	1200		
5	24"	10700		9400		7700	4800	1900	
7	24"	12700		11000		9000	5700	2800	
10	28"	15900		13800		11600	8500	4800	1900

For more information on Sukup International Products, contact Mr. Dennis Crom at dcrom@sukup.com.